

Name/Company \_\_\_\_\_

Contact \_\_\_\_\_

Address \_\_\_\_\_

Phone \_\_\_\_\_

Fax \_\_\_\_\_

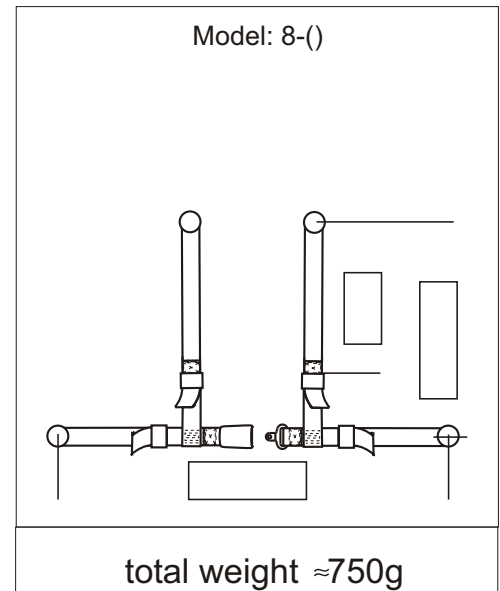
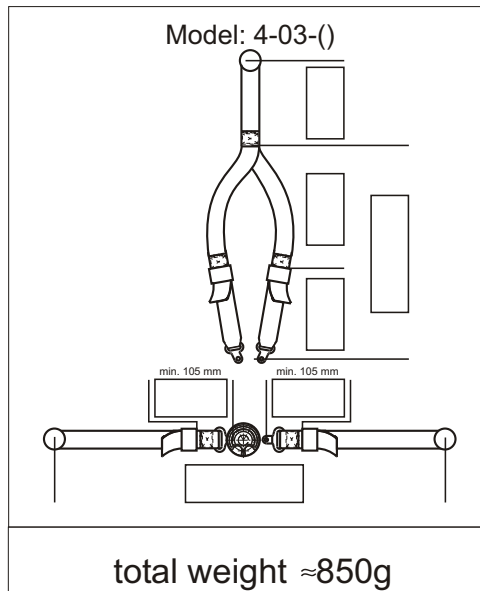
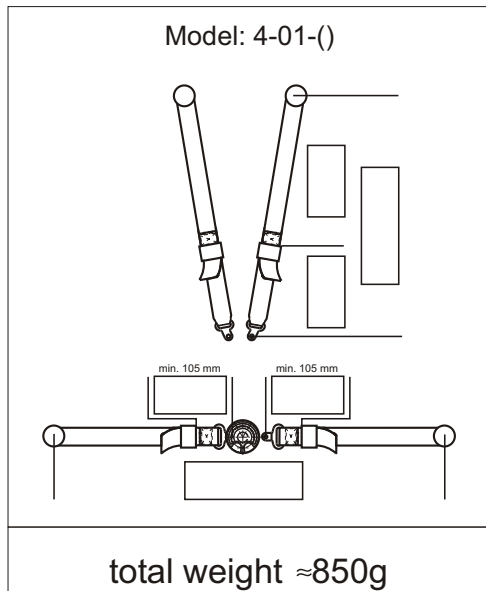
Quantity \_\_\_\_\_

Colour-No. \_\_\_\_\_

## Webbing colors

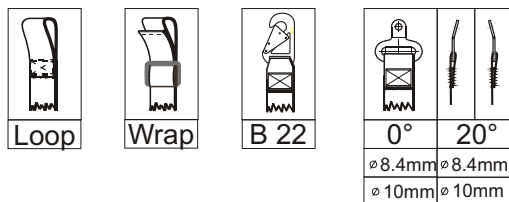
black	dark grey	blue	burgundy	pepperdust	silver	signal blue	yellow	dark red
01	02	06	09	10	23	91	93	94

Note: Colors seen on a computer screen or on a print-out often are not exact due to the settings of the individual computer.



Please fill out the boxes of the model chosen with the length of the straps needed.

## Shoulder harness endfittings



## Lap belt endfittings

