

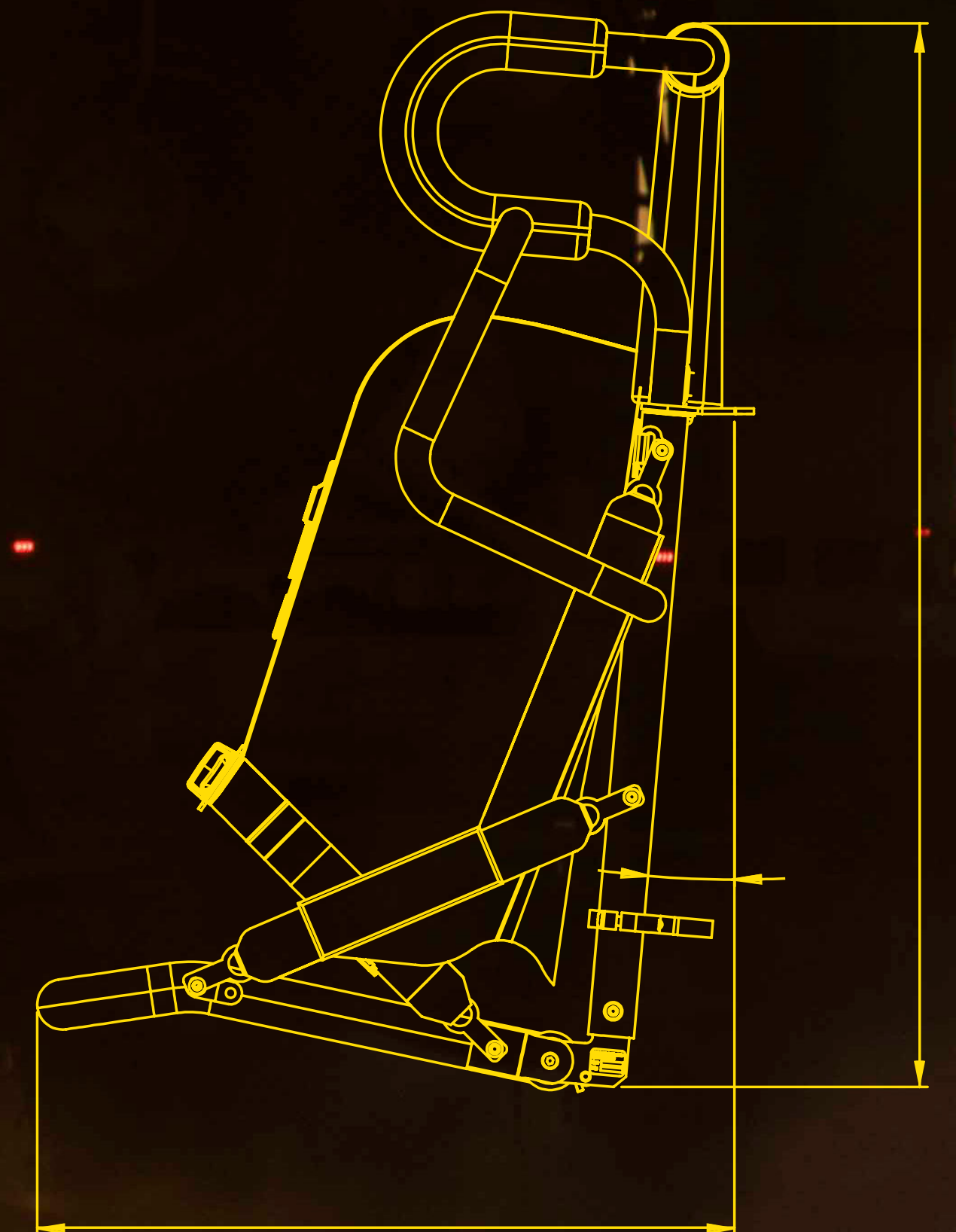
TROOP TRANSPORT SEATING – REDEFINED

A seat for troop transport must be able to bring together extreme requirements:

Maximum protection and minimum weight.

Optimum comfort and a robust design.

Extremely versatile and affordable. With the design of the mine protected SB 6X family of seats, the engineers at SCHROTH have succeeded in setting a new benchmark for troop transport seating.



SCHROTH SB 6X MINE BLAST SEATING

SCHROTH's SB 6X mine blast family of seating offers an outstanding combination of blast and crash protection, weight savings at an affordable price. The SB 6X seats can be installed into light, medium and heavy vehicle platforms.



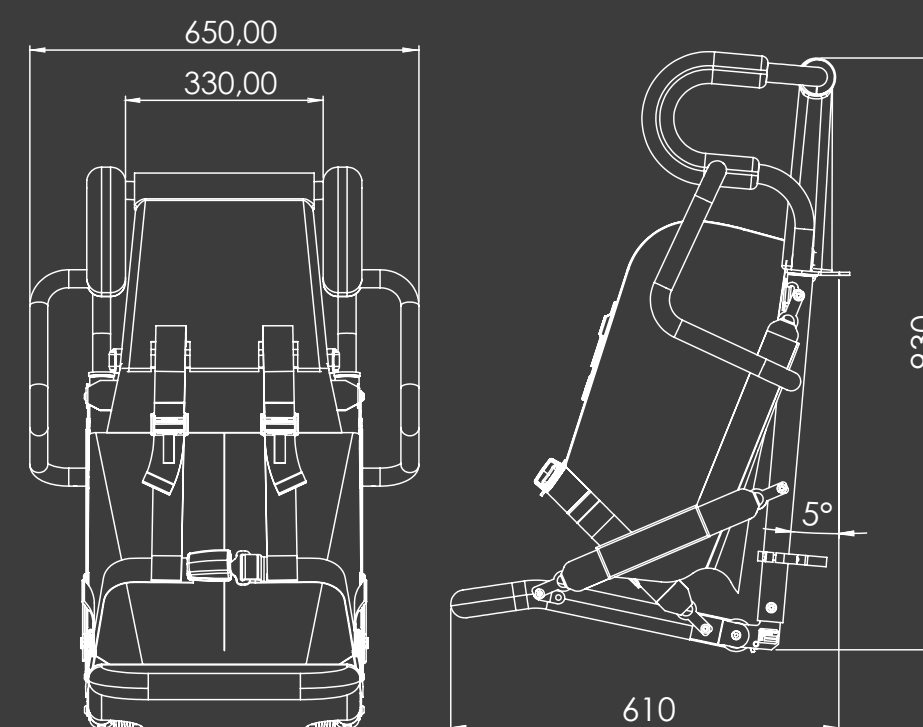
KEY BENEFITS

- SCHROTH's patented mine blast protection with self-resetting EA for slam-down events
- Blast Test proven at > 8m/s
- Lightweight and low-profile modular design (SB 63 < 15kg)
- Integrated All-Belts-To-Seat 4- or 5- point restraint system
- Design to accommodate 5th to 95th percentile occupants
- NON-ITAR Controlled

OPTIONAL PRODUCT FEATURES

- Padded head bolsters (dual, left or right)
- Shoulder bolsters (dual, left or right)
- Multiple footrest configuration options
- Folding backrest for access to storage / sponsons
- 5- point restraint system
- Berry Compliant materials (where required)
- Color options for finish and upholstery
- Seat pan storage bag

GENERAL DIMENSIONS



MAIN PRODUCT FEATURES

- Modular design for forward, rear or side facing installations
- Wall or frame mounted
- Spring loaded self-folding seat pan
- FMVSS or ECE compliant restraints
- Tear- and flame-resistant materials

PRODUCT DESIGN, TESTING & COMPLIANCE

- FMVSS 302
- ECE R 14 compliant
- AEP 55 Vol. 2 (4b) DRI < 17.7
- Human Factors MIL 1472G
- Environmental Mil 810H
- ECE R16 or FMVSS 209 compliant restraint
- DEFStan 25-9 restraint applicable
- ZMK-32 Side Protection

CONTACT OUR TECHNICAL SALES TEAM

SCHROTH Safety Products LLC
Fort Lauderdale Florida 33309 USA
defense@us.schroth.com

SCHROTH Safety Products GmbH
Arnsberg 59757 Germany
germany@eu.schroth.com

www.schroth.com/defense



SCHROTH®